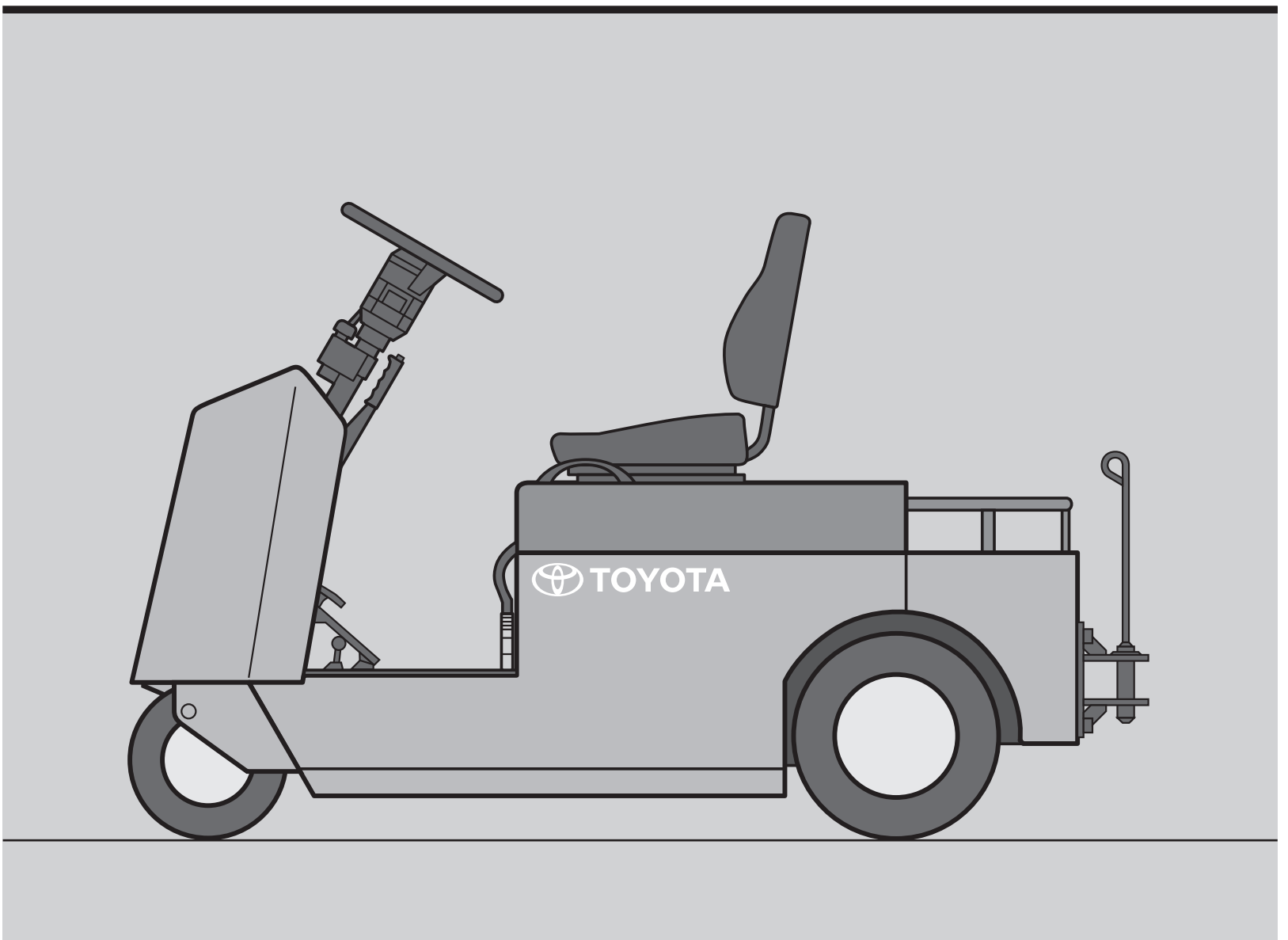


# ELECTRIC POWERED TOWING TRACTOR CBT/CBTY Series



 **TOYOTA**

# 400 and 450 kg (3,920 to 4,410 N)

## MAIN VEHICLE SPECIFICATIONS

Manufacturer			TOYOTA	TOYOTA	TOYOTA	
Model			CBT4	CBT6	CBTY4	
Power Type			Battery	Battery	Battery	
Operator Position			Rider Seated	Rider Seated	Stand on	
Tire Type	Front/Rear		Pneumatic	Pneumatic	Pneumatic	
Wheels (x = driven)	Front/Rear		2/2x	2/2x	2/2x	
Maximum Drawbar Pull	3-Minute Ratings	N (kg)	3920 (400)	4410 (450)	3920 (400)	
Rated Drawbar Pull (Towing Capacity)	60-Minute Ratings	N (kg)	980 (100)	1470 (150)	980 (100)	
Towed Weight	60-Minute Ratings	kg	4000	6000	4000	
Travel Speeds	No Load	km/h	13.5	18	13.5	
	w/ Load	km/h	9 w/2 ton	13 w/3 ton	9 w/2 ton	
Gradeability *	No Load	% (tanθ)	36	32	36	
	3-Minute Ratings					
Overall Length	w/ Hitch	mm	2020	2020	1755	
	w/o Hitch	mm	1880	1880	1615	
Front Overhang		mm	160	160	235	
Rear Overhang		mm	360	360	240	
Overall Width		mm	965	965	965	
Overall Height		mm	1250	1250	1185	
Turning Radius (Outside)		mm	1775	1775	1600	
Hitch Length		mm	140	140	140	
Height of Hitch		mm	305	305	305	
Wheelbase		mm	1360	1360	1140	
Tread	Front	mm	260	260	260	
	Rear	mm	790	790	790	
Underclearance	Center of Wheelbase		mm	80	75	
Floor Height		mm	330	330	200	
Total Weight	w/ Battery	kg	980	1055	975	
	Without Battery	kg	560	585	625	
Weight Distribution (With STD Battery)	Front	kg	330	360	290	
	Rear	kg	650	695	685	
Tires	Number	Front/Rear	2/2	2/2	2/2	
	Size	Front	3.50-5-6PR (I)	3.50-5-6PR (I)	3.50-5-6PR (I)	
		Rear	4.00-8-6PR (I)	4.00-8-6PR (I)	4.00-8-6PR (I)	
Brake	Service (Foot)		Hydraulic	Hydraulic	Hydraulic	
	Parking		Hand	Hand	Foot	
Battery	Voltage/Capacity (5-Hour Ratings)	STD	V/AH	48/210	48/280	48/160
	Weight (STD Capacity Type)		kg	430	470	350
Electric Motor	Drive		kW	2.6	4.9	2.6
Control Type	Drive			Transistor chopper	Transistor chopper	Transistor chopper

NOTE: \* Computed values.

## TOWED WEIGHT

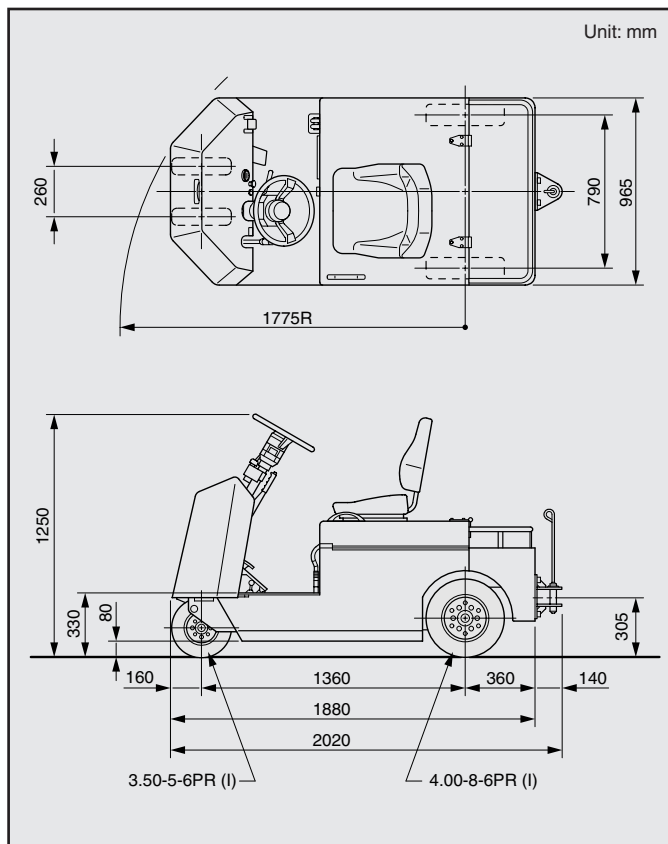
Unit: kg

Model	60-Minute Rating			
	CBT4	CBT6	CBTY4	
Surface Condition (Dry Even Concrete)				
Level Road	4000	6000	4000	
Grade (Degrees)	1°	1900	3000	1900
	2°	1000	1800	1000
	3°	500	1100	500
	4°	200	600	200

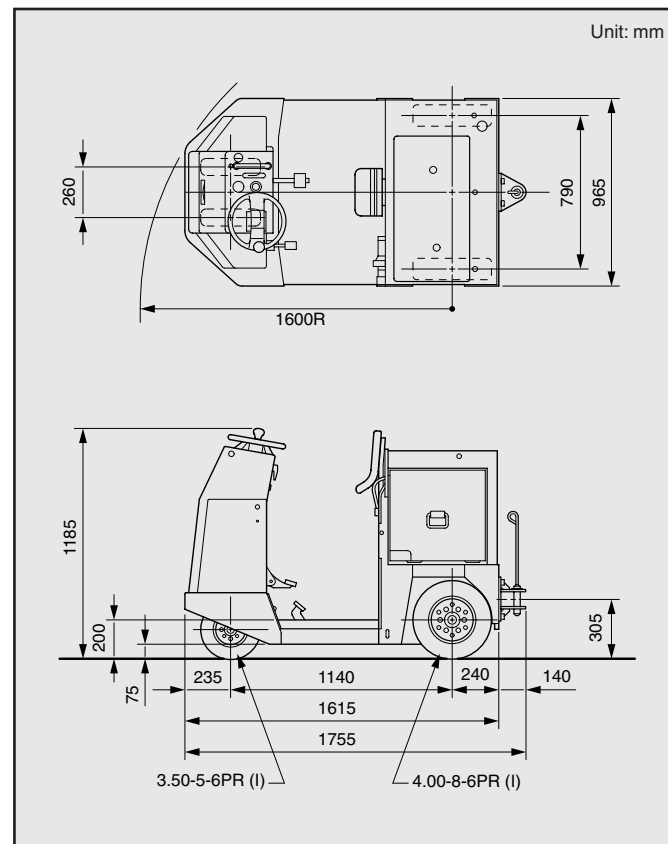
# CBT4.6 CBTY4

## DIMENSIONAL DRAWINGS

CBT4.6



CBTY4



## STANDARD EQUIPMENT

CBT4.6

- Headlights
- Battery capacity indicator
- Hour meter
- Electric horn
- Buck-up buzzer wiring
- Non-slip sheet
- Seat
- Rear drawbar
- Battery hood damper
- Dual-action parking brake
- Pneumatic tire
- Truck bed

CBTY4

- Headlights
- Battery capacity indicator
- Hour meter
- Electric horn
- Buck-up buzzer wiring
- Non-slip sheet
- Rear drawbar
- Foot-operated parking brake
- Pneumatic tire

Availability and specifications are determined regionally and are subject to change without notice.  
Please consult your Toyota representative for details.

---

This brochure is printed on recycled paper with soy ink.  
All rights reserved by Toyota Industries Corporation.



**TOYOTA Material Handling Company**  
A Division of TOYOTA INDUSTRIES CORPORATION